

SIGNMASTER SUBLITE INSTALLATION INSTRUCTIONS

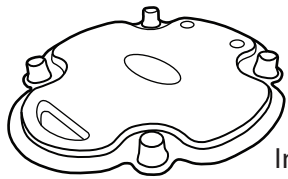


Ensure that personnel carrying out this conversion have the relevant qualifications/certificates and all work is carried out in accordance with BS6771:2008/I.E.E. Wiring Regulations 17th Edition.
 Ensure that all relevant personnel read the points listed within this leaflet and that a copy is given to staff involved with the installation and maintenance of this product.
 Glasdon recommends that a full Health and Safety analysis is carried out prior to installation.

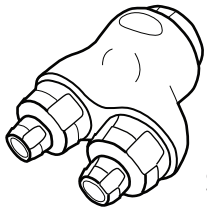
KIT CONTENTS

1 - Signmaster Bollard	x1
2 - M10 x 100 Screw	x4
3 - M10 x Ø50 White Washer	x4
4 - Spacer	x1
5 - Gasket	x1
6 - LED Lighting Unit	x1
7 - Underground Box	x1
8 - Concrete-In Bars	x2
Allen Key 6mm	x1

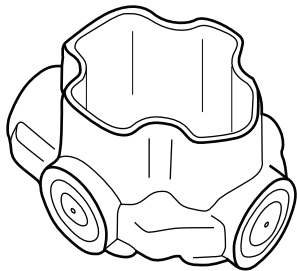
Optional Extras



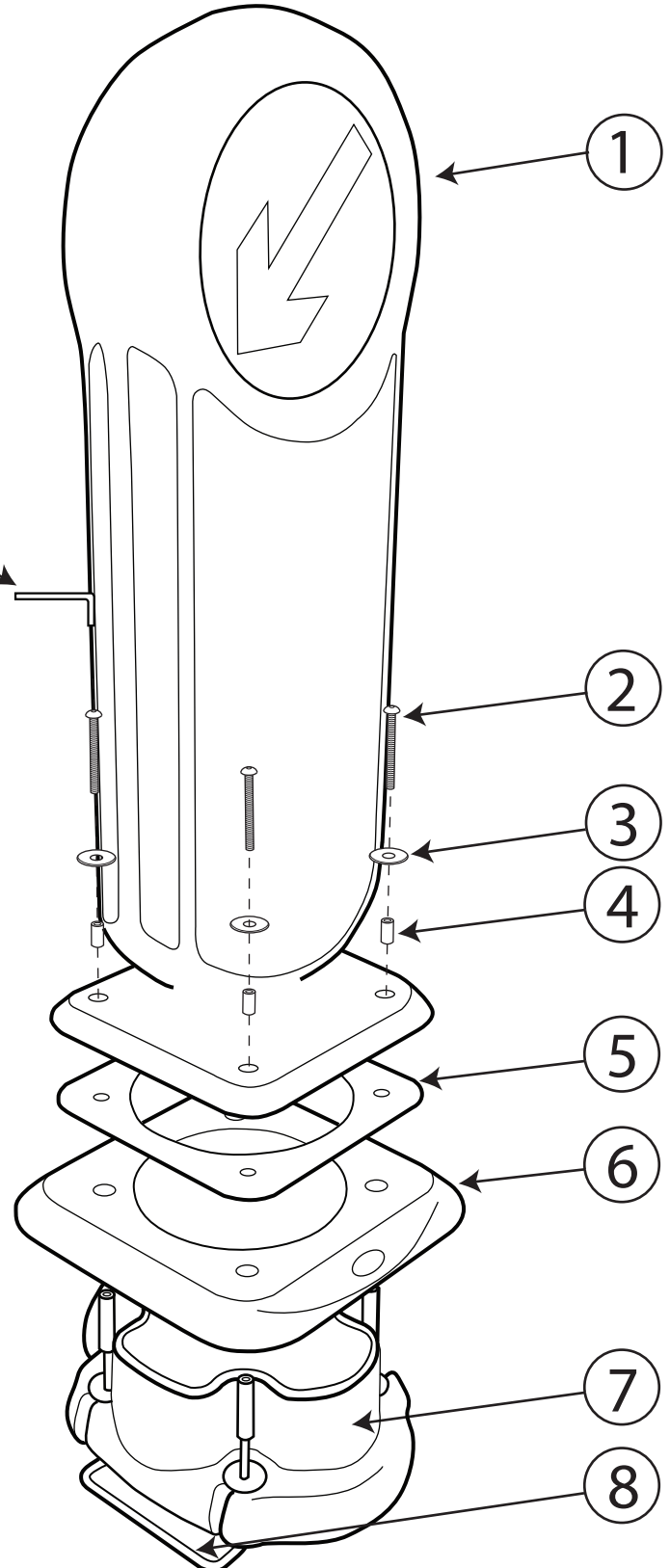
Installation Lid



Splitter



Ducting Chamber

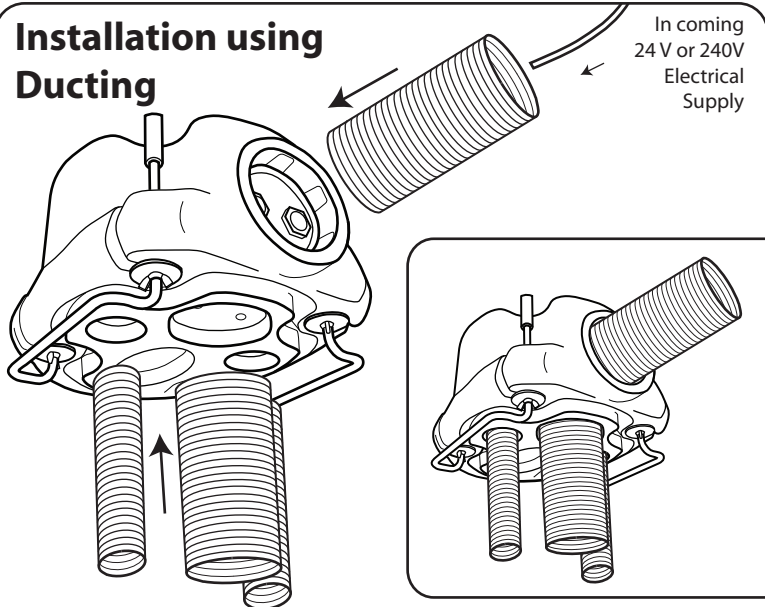


EQUIPMENT REQUIRED

- Spade
- Spirit Level
- Concrete Mix (we suggest using a quick setting concrete i.e. QC10 for all installations)
- Jack Hammer
- Hand Drill
- Safety Equipment (hard hat, mask, goggles, reflective clothing, etc)

Please note that diagrams are not to scale

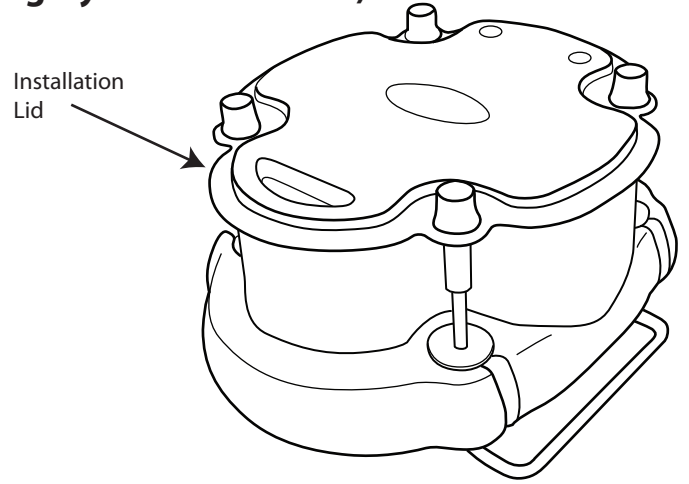
Installation using Ducting



If using 100mm ducting, cut to size and offer either into the ducting recess below or into the rear of the unit. For 50mm ducting fit from below or as close to the back of the unit as possible.

Diagram A

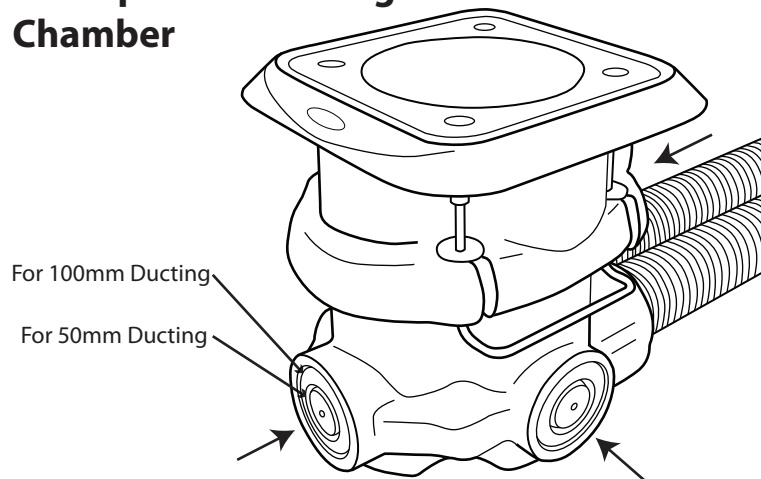
Installation using Optional Installation Lid (Highly Recommended)



If using an optional Installation Lid position on to the fixing bars on the Underground Box prior to installation. Remove Lid only when concrete has set and LED Lighting Unit is to be connected.

Diagram B

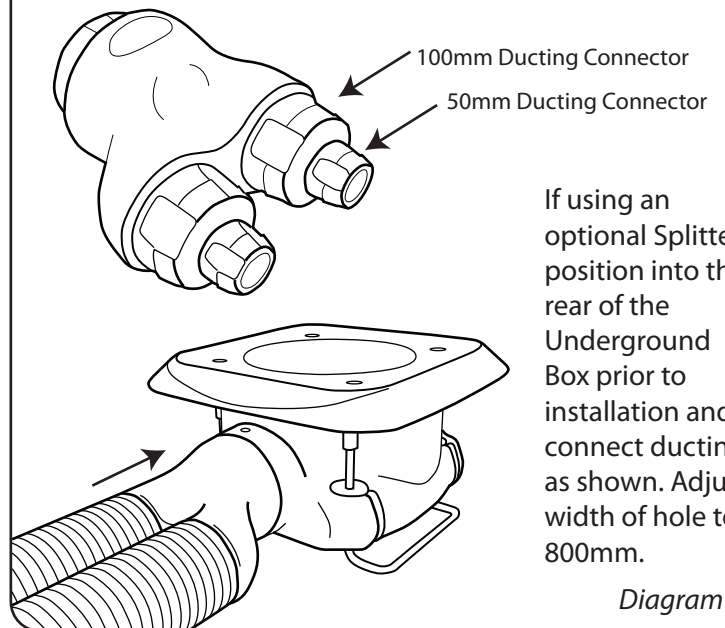
Installation using Ducting and Optional Ducting Chamber



Using hole cutter or knife, cut out the required circles (inner circle for 50mm ducting and outer circle of 100mm ducting) and slot ducting into the chamber. Adjust depth of hole to 500mm

Diagram C

Installation using Ducting and Optional Splitter



If using an optional Splitter position into the rear of the Underground Box prior to installation and connect ducting as shown. Adjust width of hole to 800mm.

Diagram D

MINIMUM HOLE DIMENSIONS

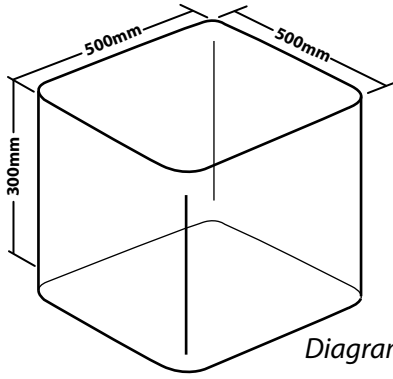


Diagram E

Note: Take care to avoid buried services when excavating the hole. Adjust depth and width of hole when using a Splitter or Ducting Chamber.

Installation Instructions

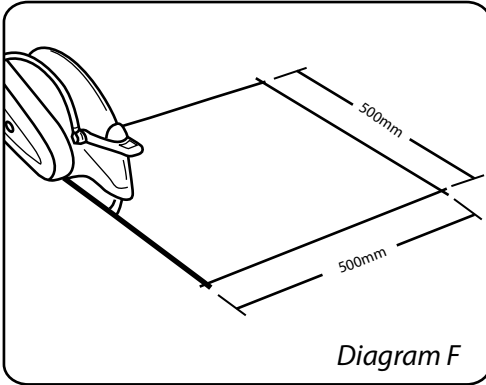


Diagram F

Measure and mark out the hole using chalk and begin by slot cutting through the surface

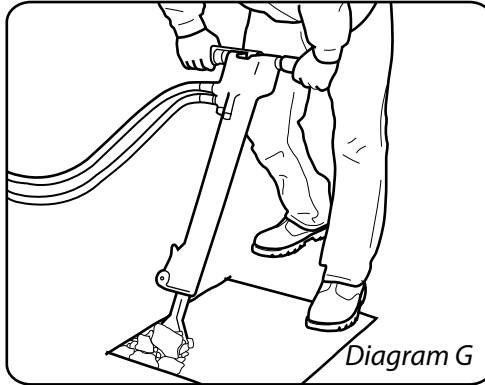


Diagram G

Excavate the hole using a jack hammer.

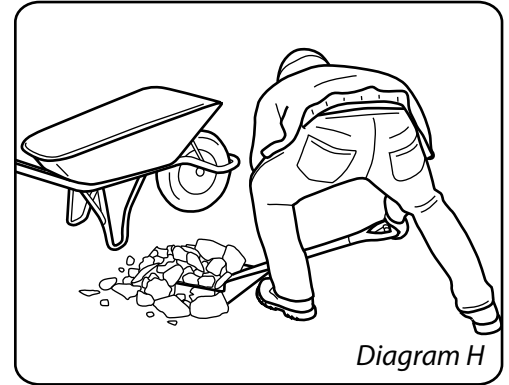


Diagram H

Clear the hole of rubble and lay gravel for drainage.

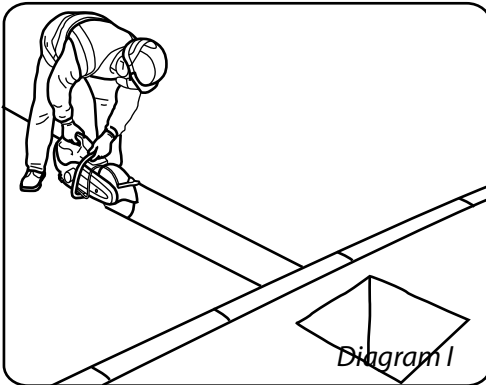


Diagram I

Slot cut from the power source to the hole or excavate a trench if using ducting.

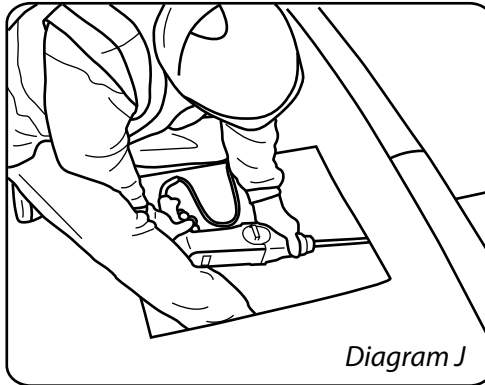


Diagram J

If possible avoid damage to the kerb by drilling underneath to create access for the cable and ducting.

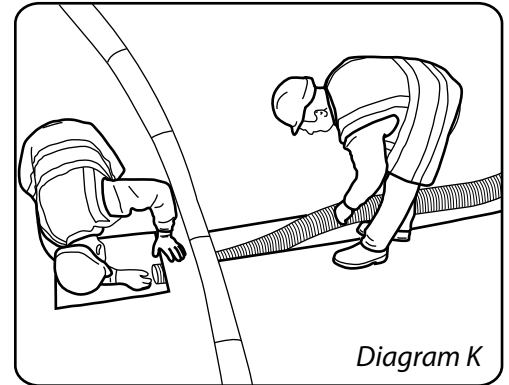


Diagram K

Lay the ducting, if required, into the trench.

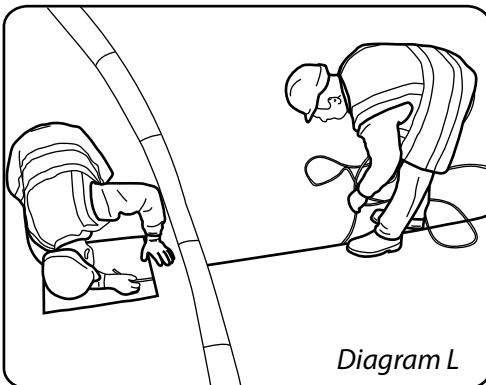


Diagram L

Thread the cable through the ducting or if slot cutting thread the cable through the hole and lay across road as shown.

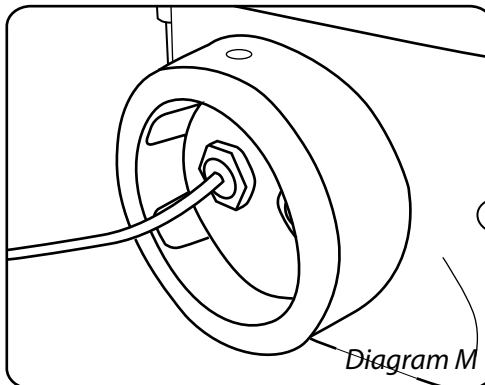


Diagram M

Position the Underground box into the hole and thread the cable through the gland and tighten well. Connect ducting to unit if required.

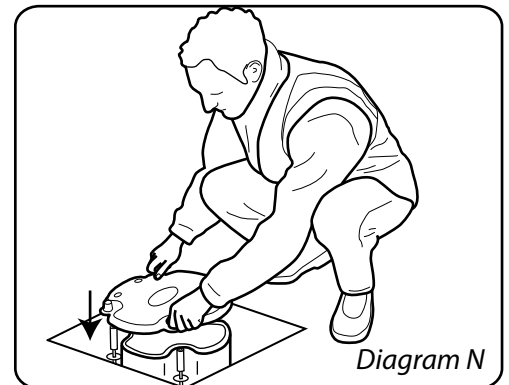


Diagram N

If using the Installation Lid position onto Underground Box. Ensure ground level marker is at the correct height and use a spirit level to ensure the box is level. Add/remove gravel as required.

Important Installation Note: The Underground Box must be installed at the correct height and level or the ingress protection (IP rating) of the unit may be severely impaired.

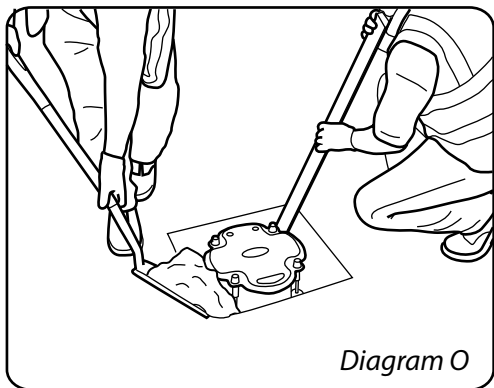


Diagram O

Fill the hole with concrete ensuring the concrete flows around all the fixing bars. Fill up to the edge of the Installation Lid or ground level marker.

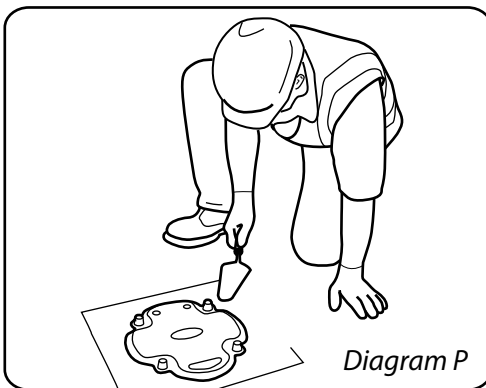


Diagram P

Smooth the surface and allow concrete to dry for at least 24 hours. We recommend leaving the Installation Lid on for this duration. To maximise drive through performance, concreting must be of a good standard.

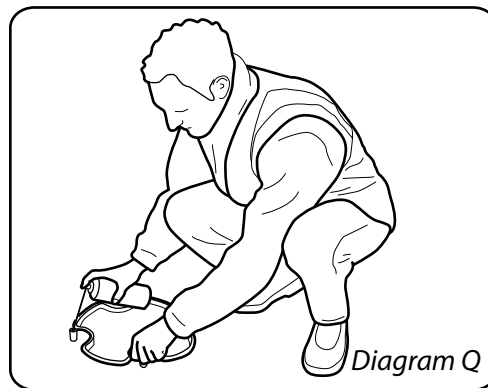


Diagram Q

When the concrete has set the Installation Lid can be removed and disguard or re used. Now lightly grease the inside of all four fixing bars as shown with WD40 or equivalent.

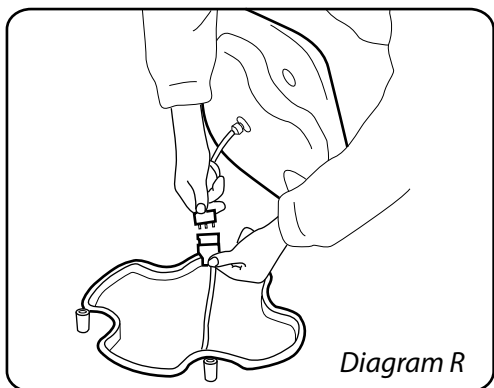


Diagram R

If using a 'cut out', screw to the plywood board and attach cable. Attach socket to the end of cable and connect to the plug on the LED Lighting Unit.

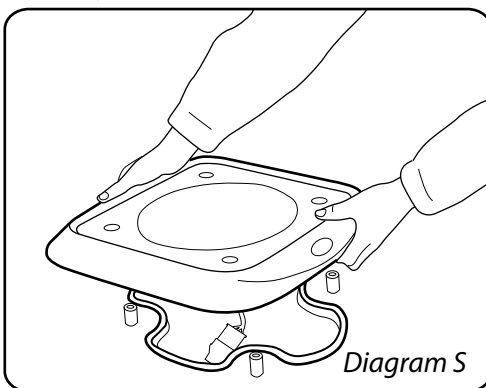


Diagram S

Position the LED Lighting Unit onto the Underground Box. Ensuring the top edge of the Underground Box sits in the recess on the underside of the LED Lighting Unit.

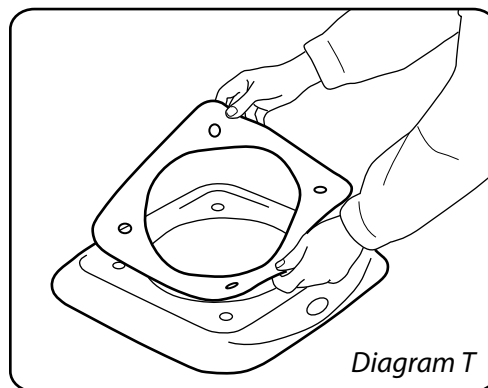


Diagram T

Position the Gasket onto the LED Lighting Unit aligning the four holes.

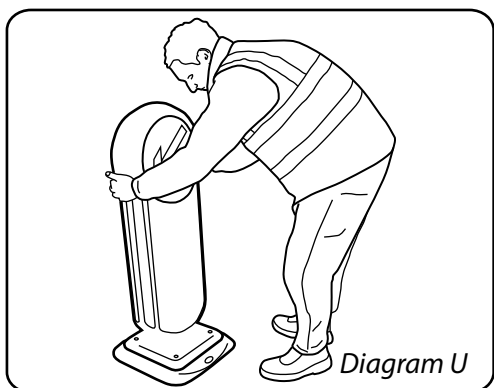


Diagram U

Position the Signmaster Bollard onto the Unit as shown, ensure the bollard is in the correct orientation.

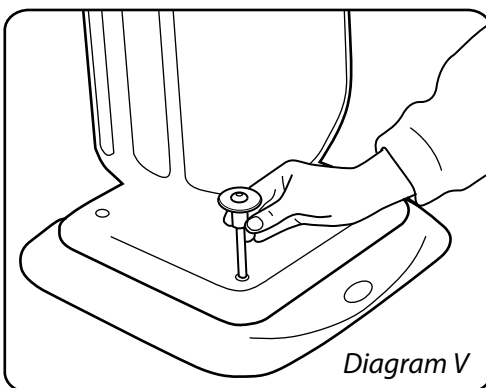


Diagram V

Position Items 2, 3, and 4 into the four fixing holes.

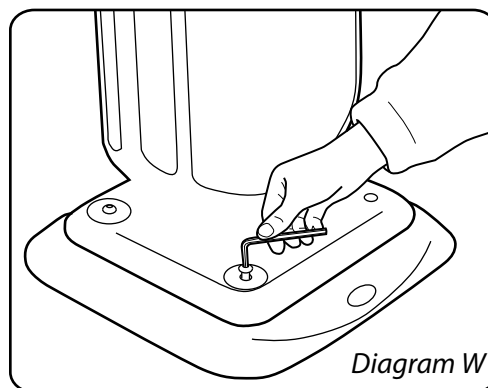


Diagram W

Tighten fully using the Allen Key provided to secure the bollard in position.

IMPORTANT NOTE: PLEASE ENSURE THAT ALL RELEVANT PERSONNEL READ THE POINTS LISTED WITHIN THIS LEAFLET AND THAT A COPY IS GIVEN TO STAFF INVOLVED WITH THE INSTALLATION AND MAINTENANCE OF THIS PRODUCT.

SAFETY NOTE: PLEASE REFER TO 'THE MANUAL HANDLING OPERATIONS REGULATIONS 1992' DURING HANDLING.



AND SIGNMASTER SUBLITE ARE TRADEMARKS OR REGISTERED TRADEMARKS OF GLASDON GROUP OR ITS SUBSIDIARIES IN THE U.K AND OTHER COUNTRIES

- A planned maintenance schedule or regular inspection is recommended, replacing components as necessary.

- Replacement components are available direct from GLASDON.

- GLASDON cannot be held responsible for claims arising from incorrect installation, unauthorised modifications or misuse of the product.

Issue 1 March 2010 Stock no. C000/0357
© Copyright 2010

Glasdon UK Ltd reserve the right to alter specifications without prior notice.



Glasdon U.K Limited

Preston New Road
BLACKPOOL
Lancashire FY4 4UL
Tel: 01253 600410
Fax: 01253 792558
email: sales@glasdon-uk.co.uk
web: www.glasdon.com